

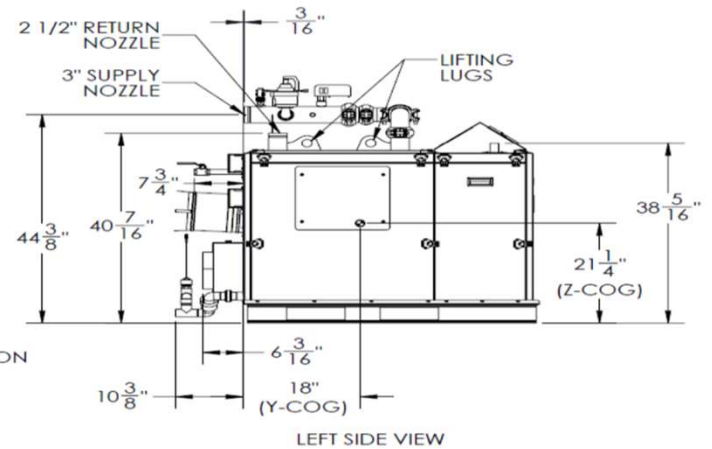
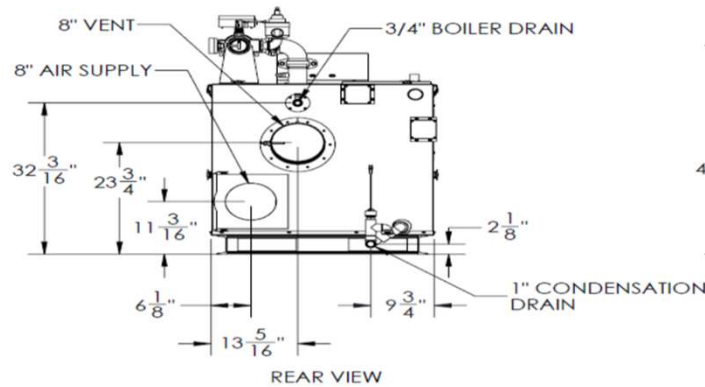
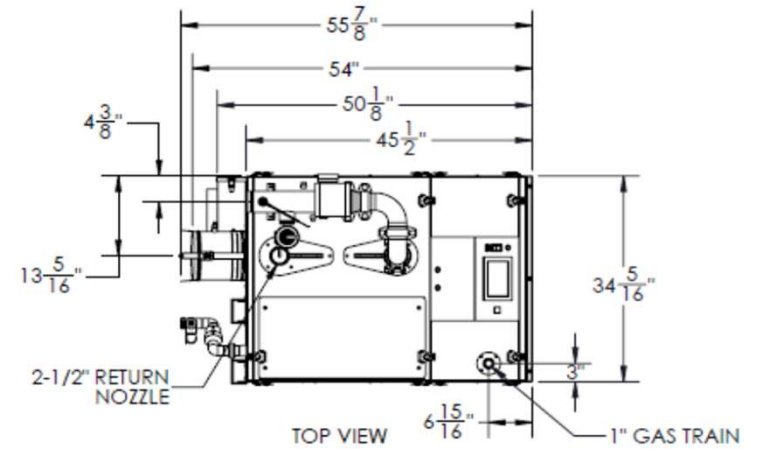
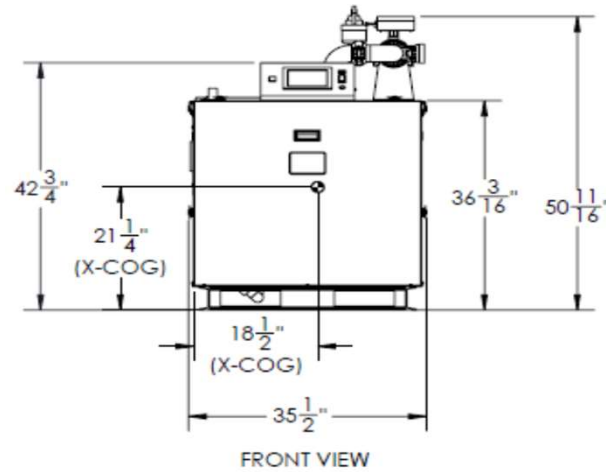
AMP CONDENSING BOILERS - SUBMITTAL DATA SHEET

RATINGS AND CAPACITIES		
Input - Low Fire	200,000	BTU/HR
Input - High Fire	1,000,000	BTU/HR
Output - High Fire	970,000	BTU/HR
Boiler Horsepower	29.0	BHP
Thermal Efficiency	97.0%	
Low Fire Thermal Efficiency	Up to 99%	
Heating Surface	91.6	Sq.Ft.
Water Content	11.0	Gallons
Fuel	Natural Gas or Propane	
Firing Rate	Full Modulation	
Burner Turndown	5:1	
Low NOx Emissions	< 10 ppm	
Inlet Gas Pressure (NG)	4" wc	Min.
Inlet Gas Pressure (Propane)	8" wc	Min.
	14" wc	Max.
Shipping Weight, Approximate	922	lbs

ASME Section IV (Max 160 PSIG / 21°C)
ETL Certified to ANSI Z21.13 / CSA 4.9
ETL Certified to UL 795 / CSA 3.1

DIMENSIONS / CONNECTIONS		
- Height	42-3/4"	(Note 1)
- Width	34-1/4"	(Note 2)
- Length	45-1/2"	(Note 3)
- Supply Connection	3" Grooved	
- Return Connection	2-1/2" Grooved	
- Vent / Air Intake Connections	8"	
- Gas Connection	1" NPT	

STANDARD EQUIPMENT	
- ASME Stainless Steel Heat Exchanger	
- Stainless Steel Pre-Mix Burner	
- Variable Speed Combustion Blower	
- Concert Control™ (24v)	
- High Limit Temperature Control, Manual Reset	
- Water Flow Switch	
- Low Water Cutoff, Manual Reset	
- Condensate Trap	
- Blocked Condensate Switch	
- ASME Pressure Relief Valve	
- Pressure / Temperature Gauge	
- Supply & Return Temperature Sensors	
- Flue Gas Temperature Sensor	
- Air Vent Valve	
- Modulating Gas Valve	
- Direct Spark Ignition and UV Scanner	
- High/Low Gas Pressure Switches, Manual Reset	
- Combustion Air Switch	
- Blocked Vent Switch	
- 120-208-240v/1/60 Line Voltage	
- Amp Draw: 120v (11.0); 208v (7.4) and 240v (6.5)	
- Category II and IV Venting	
- Individual or Common (Engineered) Vent System	
- CPVC, Polypropylene & Stainless Steel Acceptable *Material	
- Sealed or Room Combustion Air Intake	
- Up to 300 ft equivalent venting / air intake combined	



NOTE:
 - CENTER OF GRAVITY LOCATION

FLOWS AND PRESSURE DROPS			
Delta T	Flow (GPM)	r P (Fl. Hd)	
20°F r T	97	11.0	
25°F r T	78	6.7	
30°F r T	65	5.2	
35°F r T	55	4.1	
40°F r T	49	3.8	
45°F r T	43	3.8	
50°F r T	40	2.5	
55°F r T	35	2.0	

- NOTES:
1. Height dimension is from floor to top of control box.
 2. Width does not include jacket butterfly clips that require 3/4" +/- clearance on each side.
 3. Length is the measurement of the boiler skid base.
 4. Dimensions shown are for reference only

* Flue system material shall be capable of continuous operation at 210°F or higher and shall be certified to UL 1738 – venting system for gas-burning appliances cat II, III and IV.

AMP-1000

PROPERTY OF
THERMAL SOLUTIONS
Specialty Equipment for Hot Water Systems

PO BOX 3244 | LANCASTER, PA, 17601
 INNOVATIVE EQUIPMENT FOR
 HOT WATER SYSTEMS
 WWW.THERMALSOLUTIONS.COM

Updated 1/26/2024